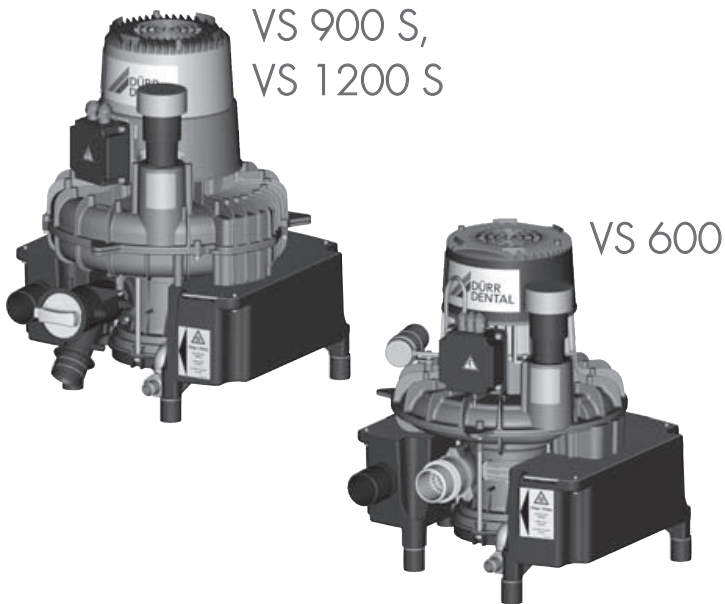


Combination suction units

EN



Installation and operating instructions

CE 0297

9000-606-79/30



 DÜRR
DENTAL

The logo consists of two parallel blue diagonal lines to the left of the company name 'DÜRR DENTAL' in a bold, sans-serif font.

1912/003

Contents



Important information

1	About this document	3
1.1	Warnings and symbols	3
1.2	Copyright information	4
2	Safety	4
2.1	Intended purpose	4
2.2	Intended use	4
2.3	Improper use	4
2.4	General safety information	5
2.5	Combining devices safely	5
2.6	Specialist personnel	5
2.7	Notification requirement of serious incidents	5
2.8	Electrical safety	5
2.9	Only use original parts	5
2.10	Transport	6
2.11	Disposal	6



Product description

3	Overview	7
3.1	Scope of delivery	8
3.2	Optional items	8
3.3	Consumables	9
3.4	Wear parts and replacement parts	9
4	Technical data	10
4.1	VS 600	10
4.2	VS 600	12
4.3	VS 900 S	14
4.4	VS 1200 S	16
4.5	Type plate	18
4.6	Evaluation of conformity	18
5	Operation	19



Assembly

6	Requirements	21
6.1	Installation/setup room	21
6.2	Setup options	21
6.3	Pipe materials	21
6.4	Hose materials	21
6.5	Information about electrical connections	21
6.6	Information about connecting cables	21
7	System components	22
7.1	Control box	22
7.2	Rinsing unit	22
7.3	Flow accelerator	22
7.4	Amalgam separator	22
7.5	Surge tank	22
7.6	Exhaust air filter	23
7.7	Noise reduction	23
8	Installation	23
8.1	Installation and routing of hoses and pipes	23
9	Electrical connections	26
10	Commissioning	27



Usage

11	Disinfection and cleaning	28
11.1	After every treatment	28
11.2	Daily after the end of treatment	28
11.3	Once or twice a week before the midday break	28
12	Cleaning the protective strainer	29
12.1	VS 600	29
12.2	VS 900 S, VS 1200 S	29
13	Maintenance	30



Troubleshooting

EN

14	Tips for operators and service technicians	31
15	Transporting the unit	33



Appendix

16	Handover record	34
----	---------------------------	----

Important information

1 About this document

These installation and operating instructions represent part of the unit.



If the instructions and information in these installation and operating instructions are not followed, Dürr Dental will not be able to offer any warranty or assume any liability for the safe operation and the safe functioning of the unit.

The German version of the installation and operating instructions is the original manual. All other languages are translation of the original manual. These installation and operating instructions apply to:

VS 600

Order number: 7128-01; 7128-01/002;
7128-01/021; 7128-02; 7128-02/002;
7128-02/003; 7128100900

VS 900 S

Order number: 7134-01; 7134-01/002;
7134-01/021; 7134-02; 7134-02/002;
7134-02/021; 7134100900

VS 1200 S

Order number: 7138-02; 7138-02/002;
7138-02/021; 7138-02/003; 7138-03;
7138-03/002; 7138-03/003; 7138100900

1.1 Warnings and symbols

Warnings

The warnings in this document are intended to draw your attention to possible injury to persons or damage to machinery.

The following warning symbols are used:



General warning symbol



Warning – dangerous high voltage



Warning – hot surfaces



Warning - automatic start-up of the unit



Biohazard warning

The warnings are structured as follows:



SIGNAL WORD

Description of the type and source of danger

- Here you will find the possible consequences of ignoring the warning
- Follow these measures to avoid the danger.

The signal word differentiates between four levels of danger:

- **DANGER**
Immediate danger of severe injury or death
- **WARNING**
Possible danger of severe injury or death
- **CAUTION**
Risk of minor injuries
- **NOTICE**
Risk of extensive material/property damage

Other symbols

These symbols are used in the document and on or in the unit:



Note, e.g. specific instructions regarding efficient and cost-effective use of the unit.



Refer to Operating Instructions.



Wear protective gloves.



Wear protective goggles.



Disconnect all power from the unit.



Refer to the accompanying electronic documents.




Lower and upper temperature limits



Lower and upper humidity limits



Protective ground connection

 CE labelling with the number of the notified body

 Serial number

 Order number

 Medical device

 Health Industry Bar Code (HIBC)

 Manufacturer

1.2 Copyright information

All circuits, processes, names, software programs and units mentioned in this document are protected by copyright.

The Installation and Operating Instructions must not be copied or reprinted, neither in full nor in part, without written authorisation from Dürr Dental.

2 Safety

Dürr Dental has designed and constructed this unit so that when used properly and for the intended purpose it does not pose any danger to people or property.

Despite this, the following residual risks can remain:

- Personal injury due to incorrect use/misuse
- Personal injury due to mechanical effects
- Personal injury due to electric shock
- Personal injury due to radiation
- Personal injury due to fire
- Personal injury due to thermal effects on skin
- Personal injury due to lack of hygiene, e.g. infection

2.1 Intended purpose

The suction unit provides the dental treatment unit with vacuum and volume flow.

2.2 Intended use

Working in combination with the suction unit with treatment unit, suction handpiece and cannula, the media used in dental treatment (e.g. water, saliva, dentine and amalgam) are removed by suction for disposal.

This unit is technically suitable for the aspiration of nitrous oxide (laughing gas). However, when assembling a system for aspiration of nitrous oxide, it is important to ensure that the other components in the system are also suitable for this purpose. Those responsible for setting up the system must assess this and approve and release the system for the aspiration of nitrous oxide.



Operation with nitrous oxide is only permitted if the exhaust air is transported from the unit to the outside of the building.

2.3 Improper use

Any use of this appliance / these appliances above and beyond that described in the Installation and Operating Instructions is deemed to be incorrect usage. The manufacturer cannot be held liable for any damage resulting from incorrect usage. The operator will be held liable and bears all risks.

- › Do not use this device to aspirate flammable or explosive mixtures.

- › The unit must not be used as a vacuum cleaner.
- › Do not use chemicals containing chlorine or foaming chemicals.
- › Operation in operating theatres of explosive areas is not permissible.
- › The suction unit must not be set up in the patient environment (with a radius of 1.5 m).

2.4 General safety information

- › Always comply with the specifications of all guidelines, laws, and other rules and regulations applicable at the site of operation for the operation of this unit.
- › Check the function and condition of the unit prior to every use.
- › Do not convert or modify the unit.
- › Comply with the specifications of the Installation and Operating Instructions.
- › The Installation and Operating Instructions must be accessible to all operators of the unit at all times.

2.5 Combining devices safely

Take care when connecting units together or to parts of other systems as there is always an element of risk (e.g. due to leakage currents).

- › Only connect units when there can be no question of danger to operator or to patient.
- › Only connect units when it is safe to do so and when there is no risk of damage or harm to the surroundings.
- › If it is not 100% clear from the unit data sheet that such connections can be safely made or if you are in any doubt, always get a suitably qualified person (e.g. the manufacturer) to verify that the setup is safe.

Where applicable, the requirements for medical products have been taken into account in the development and construction of the device. As a result, this device is suitable for installation within medical supply equipment.

- › Where this device is integrated in other medical supply equipment, the requirements of European Union Medical Device Regulation 2017/745 and the relevant standards must be observed.

2.6 Specialist personnel

Operation

Unit operating personnel must ensure safe and correct handling based on their training and knowledge.

- › Instruct or have every user instructed in handling the unit.

The following groups are not permitted to operate or use a commercially operated unit:

- People without the necessary experience and knowledge
- People with reduced physical, sensory or mental capabilities
- Children

Installation and repairs

- › Installation, readjustments, alterations, upgrades and repairs must be carried out by Dürr Dental or by qualified personnel specifically approved and authorized by Dürr Dental.

2.7 Notification requirement of serious incidents


The operator/patient is required to report any serious incident that occurs in connection with the device to the manufacturer and to the competent authority of the Member State in which the operator and/or patient is established/resident.

2.8 Electrical safety

- › Comply with all the relevant electrical safety regulations when working on the unit.
- › Never touch the patient and unshielded plug connections on the device at the same time.
- › Replace any damaged cables or plugs immediately.

2.9 Only use original parts


- › Only use Dürr Dental parts or accessories and special accessories specifically approved by Dürr Dental.
- › Only use only original wear parts and replacement parts.

-  Dürr Dental accepts no liability for damages or injury resulting from the use of non-approved accessories or optional accessories, or from the use of non-original wear parts or replacement parts.
- The use of non-approved accessories, optional accessories or non-genuine wear parts / replacement parts (e.g. mains cable) can have a negative effect in terms of electrical safety and EMC.

2.10 Transport


The original packaging provides optimum protection for the unit during transport.

If required, original packaging for the unit can be ordered from Dürr Dental.


-  Dürr Dental will not accept any responsibility or liability for damage occurring during transport due to the use of incorrect packaging, even where the unit is still under guarantee.

- › Only transport the unit in its original packaging.
- › Keep the packing materials out of the reach of children.

2.11 Disposal

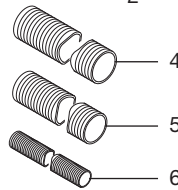
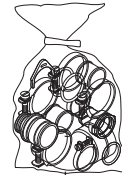
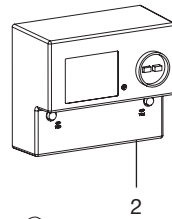
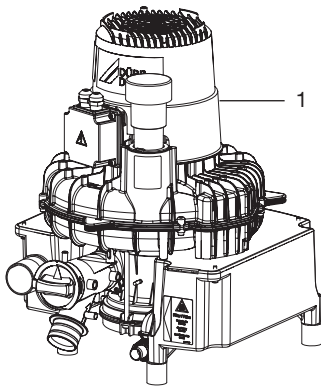
-  The unit may be contaminated. Instruct the company disposing of the waste to take the relevant safety precautions.

- › Decontaminate potentially contaminated parts before disposing of them.
- › Uncontaminated parts (e.g. electronics, plastic and metal parts etc.) should be disposed of in accordance with the local waste disposal regulations.
- › If you have any questions about the correct disposal of parts, please contact your dental trade supplier.

-  An overview of the waste keys for Dürr Dental products can be found in the download area at www.duerrdental.com (document no. P007100155).

 Product description

3 Overview



- 1 Combination suction unit
- 2 Control box
- 3 Set of connection fittings
- 4 Suction hose
- 5 Exhaust air hose
- 6 Waste hose LW 20

3.1 Scope of delivery

The following items are included in the scope of delivery (possible variations due to country-specific requirements and/or import regulations):

- VS 600, 230 V, 1~, 50 Hz
(basic unit) 7128-01
- VS 600, 230 V, 1~, 50 Hz
(with accessories) 7128-01/002
- VS 600, 230 V, 1~, 50 Hz
(Power Tower) 7128-01/021
- VS 600, 230 V, 1~, 50 Hz
(basic unit with accessories) 7128100900
- VS 600, 400 V, 3~, 50/60 Hz
(basic unit) 7128-02
- VS 600, 400 V, 3~, 50/60 Hz
(with accessories) 7128-02/002
- VS 600, 230 V, 3~, 50/60 Hz
(with accessories) 7128-02/003
- Control box
0700-500-50 for model 7128-01/002
0700-500-50 for model 7128100900
0732-100-56 for model 7128-02/002
0732-100-57 for model 7128-02/003
- Set of connection fittings
- Suction hose LW 40
- Exhaust air hose LW 50 (aluminium)
- Waste water hose LW 20
- OroCup
- VS 900 S, 230 V, 1~, 50 Hz
(basic unit) 7134-01
- VS 900 S, 230 V, 1~, 50 Hz
(with accessories) 7134-01/002
- VS 900 S, 230 V, 1~, 50 Hz
(Power Tower) 7134-01/021
- VS 900 S, 230 V, 1~, 50 Hz
(basic unit with accessories) 7134100900
- VS 900 S, 400 V, 3~, 50 Hz
(basic unit) 7134-02
- VS 900 S, 400 V, 3~, 50 Hz
(with accessories) 7134-02/002
- VS 900 S, 400 V, 3~, 50 Hz
(Power Tower) 7134-02/021

- Control box
0732-100-55 for Modell 7134-01/002
0732-100-55 for model 7134100900
0732-100-56 for Modell 7134-02/002
- Set of connection fittings
- Suction hose LW 50
- Exhaust air hose LW 50 (aluminium)
- Waste water hose LW 20
- OroCup
- VS 1200 S, 400 V, 3~, 50 Hz
(basic unit) 7138-02
- VS 1200 S, 400 V, 3~, 50 Hz
(with accessories) 7138-02/002
- VS 1200 S, 400 V, 3~, 50 Hz
(Power Tower) 7138-02/021
- VS 1200 S, 230 V, 3~, 50 Hz
(with accessories) 7138-02/003
- VS 1200 S, 400 V, 3~, 60 Hz
(basic unit) 7138-03
- VS 1200 S, 400 V, 3~, 60 Hz
(with accessories) 7138-03/002
- VS 1200 S, 230 V, 3~, 60 Hz
(with accessories) 7138-03/003
- VS 1200 S, 400 V, 3~, 50 Hz
(basic unit with accessories) 7138100900
- Control box
0732-100-61 for Modell 7138-02/002
0732-100-61 for model 7138100900
0732-100-57 for Modell 7138-02/003
0732-100-61 for Modell 7138-03/002
0732-100-59 for Modell 7138-03/003
- Set of connection fittings
- Suction hose LW 50
- Exhaust air hose LW 50 (aluminium)
- Waste water hose LW 20
- OroCup

3.2 Optional items

The following optional items can be used with the device:

- Wall bracket 7130-190-00
- Console for floor-mounted installation 7130-191-00
- Plug & play console 7130-195-50
- Noise reduction hood 7131-991-00
- Surge tank 7130-991-51
- Bacteria filter 0705-991-50
- Noise reduction for exhaust air 0730-991-00
- Rinsing unit II 7100-250-50

Ventilation kit for cabinet installation	7122-981-50
Exhaust air valve	0732-020-00

3.3 Consumables

The following materials are consumed during operation of the device and must be ordered separately:

Orotol plus (2.5 litre bottle)	CDS110P6150
MD 555 cleaner (2.5 litre bottle)	CCS555C6150

3.4 Wear parts and replacement parts

The following working parts need to be changed at regular intervals (refer to the "Maintenance" section):

Nonreturn valve (pack of 3)	7128-100-03E
---------------------------------------	--------------



Information about replacement parts is available from the portal for authorised specialist dealers at:
www.duerrdental.net.

4 Technical data

4.1 VS 600

EN

Electrical data		7128-01 7128100900
Rated voltage	V	230, 1~
Mains frequency	Hz	50
Nominal current	A	≤ 5.0
Start-up current	A	~ 22
Motor protection *	A	-
Type of protection		IP 24
Protection class		I

* Motor winding overheat protector

Connections		
Suction connection (outside)	mm	Ø 40
Exhaust air connection (external)	mm	Ø 50
Drain connection, DürrConnect	mm	Ø 20

Media		
Max. flow rate with unimpeded flow	l/min	1500
Auxiliary air valve setting *	mbar/hPa	-160
Max. rate of flow of fluids	l/min	10
Max. suction height	cm	80

* The pressure in the suction system is limited by the supplied auxiliary air valve. The auxiliary air valve is adjusted to the suction unit and must not be altered.

General data		
Max. number of users		2
Duty cycle	%	100
Dimensions (H x W x D)	cm	48 x 41 x 39
Weight, approx.	kg	22
Noise level * ca. without housing	dB(A)	65
with housing	dB(A)	57

* Noise level in accordance with ISO 3746

Ambient conditions during storage and transport		
Temperature	°C	-10 to +60
Relative humidity	%	< 95

Ambient conditions during operation

Temperature	°C	+10 to +40
Relative humidity	%	< 70

Classification

Medical devices class	IIa
-----------------------	-----

4.2 VS 600

Electrical data		7128-02			
Rated voltage	V	400, 3~		230, 3~	
Mains frequency	Hz	50	60	50	60
Nominal current	A	≤ 2.2	≤ 2.3	≤ 3.8	≤ 4.0
Start-up current	A	~ 16	~ 14	~ 16	~ 14
Motor protection *	A	2.5		4.5	
Type of protection		IP 24			
Protection class		I			

* Max. permitted setting

Connections					
Suction connection (outside)	mm	Ø 40			
Exhaust air connection (external)	mm	Ø 50			
Drain connection, DürrConnect	mm	Ø 20			

Media					
Max. flow rate with unimpeded flow	l/min	1500	1700	1500	1700
Auxiliary air valve setting *	mbar/hPa	-160			
Max. rate of flow of fluids	l/min	10			
Max. suction height	cm	80			

* The pressure in the suction system is limited by the supplied auxiliary air valve. The auxiliary air valve is adjusted to the suction unit and must not be altered.

General data					
Max. number of users		2			
Duty cycle	%	100			
Dimensions (H x W x D)	cm	48 x 41 x 39			
Weight, approx.	kg	22			
Noise level * ca.					
without housing	dB(A)	65	68	65	68
with housing	dB(A)	57	60	57	60

* Noise level in accordance with ISO 3746

Ambient conditions during storage and transport					
Temperature	°C	-10 to +60			
Relative humidity	%	< 95			

Ambient conditions during operation					
Temperature	°C	+10 to +40			

Ambient conditions during operation

Relative humidity	%	< 70
-------------------	---	------

Classification

Medical devices class	IIa
-----------------------	-----

4.3 VS 900 S

EN

Electrical data		7134-01	7134-02
Rated voltage	V	230, 1~	400, 3~
Mains frequency	Hz	50	50
Nominal current	A	≤ 7.4	≤ 3.6
Start-up current	A	~ 32	~ 25
Motor protection *	A	10.0	4.0
Type of protection		IP 24	
Protection class		I	

* Max. permitted setting

Connections		
Suction connection (outside)	mm	Ø 50
Exhaust air connection (external)	mm	Ø 50
Drain connection, DürrConnect	mm	Ø 20

Media		
Max. flow rate with unimpeded flow	l/min	2300
Auxiliary air valve setting *	mbar/hPa	-170
Max. rate of flow of fluids	l/min	16
Max. suction height	cm	80

* The pressure in the suction system is limited by the supplied auxiliary air valve. The auxiliary air valve is adjusted to the suction unit and must not be altered.

General data			
Max. number of users		3	3
Duty cycle	%	100	
Dimensions (H x W x D)	cm	52 x 41 x 43	
Weight, approx.	kg	29	28
Noise level * ca.			
without housing	dB(A)	65	65
with housing	dB(A)	61	61

* Noise level in accordance with ISO 3746

Ambient conditions during storage and transport		
Temperature	°C	-10 to +60
Relative humidity	%	< 95

Ambient conditions during operation		
Temperature	°C	+10 to +40

Ambient conditions during operation

Relative humidity	%	< 70
-------------------	---	------

Classification

Medical devices class	IIa
-----------------------	-----

4.4 VS 1200 S

Electrical data		7138-02		7138-03	
Rated voltage	V	230, 3~	400, 3~	230, 3~	400, 3~
Mains frequency	Hz	50		60	
Nominal current	A	≤ 6.5	≤ 3.8	≤ 6.8	≤ 3.9
Start-up current	A	~ 43	~ 25	~ 30	~ 17
Motor protection *	A	6.3	4.0	6.3	4.0
Type of protection		IP 24			
Protection class		I			

* Max. permitted setting

Connections

Suction connection (outside)	mm	Ø 50
Exhaust air connection (external)	mm	Ø 50
Drain connection, DürrConnect	mm	Ø 20

Media

Max. flow rate with unimpeded flow	l/min	2400	2900
Auxiliary air valve setting *	mbar/hPa	-170	-135
Max. rate of flow of fluids	l/min	24	
Max. suction height	cm	80	

* The pressure in the suction system is limited by the supplied auxiliary air valve. The auxiliary air valve is adjusted to the suction unit and must not be altered.

General data

Max. number of users		4	4
Duty cycle	%	100	
Dimensions (H x W x D)	cm	52 x 41 x 43	
Weight, approx.	kg	28	
Noise level * ca.			
without housing	dB(A)	65	69
with housing	dB(A)	61	65

* Noise level in accordance with ISO 3746

Ambient conditions during storage and transport

Temperature	°C	-10 to +60
Relative humidity	%	< 95

Ambient conditions during operation

Temperature	°C	+10 to +40
-------------	----	------------

Ambient conditions during operation

Relative humidity	%	< 70
-------------------	---	------

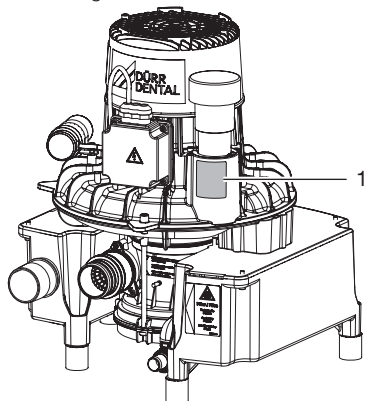
Classification

Medical devices class	IIa
-----------------------	-----

4.5 Type plate

VS 600

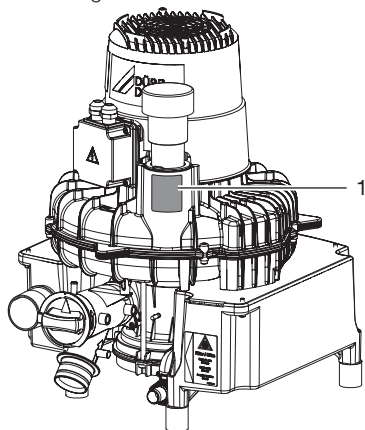
The type plate is located on the upper part of the turbine housing.



1 Type plate

VS 900 S, VS 1200 S

The type plate is located on the upper part of the turbine housing.



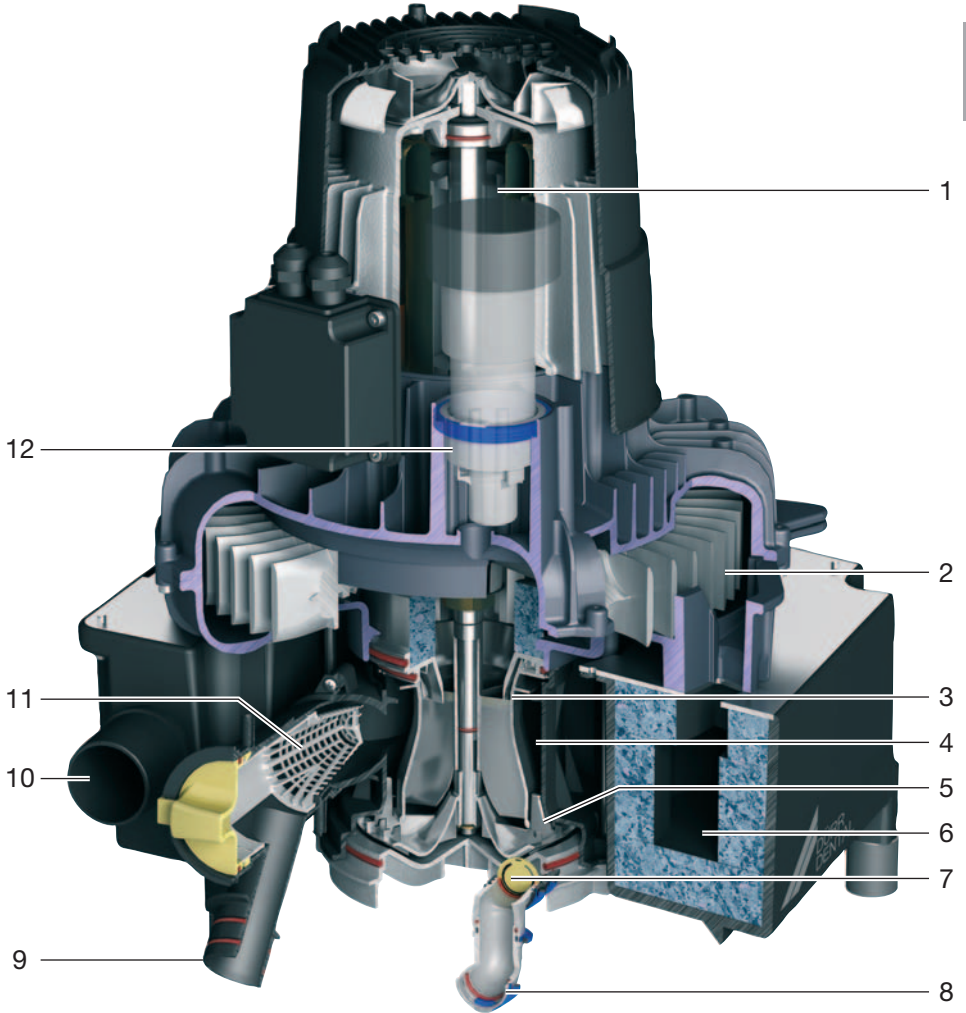
1 Type plate

4.6 Evaluation of conformity

This device has been subjected to conformity acceptance testing in accordance with the current relevant European Union guidelines. This equipment conforms to all relevant requirements.

5 Operation

EN





- 1 Motor
- 2 Turbine wheel
- 3 Separation turbine
- 4 Cyclone separator
- 5 Waste water pump
- 6 Exhaust air muffler
- 7 Diaphragm valve
- 8 Waste water connection
- 9 Intake nozzle
- 10 Exhaust air connection
- 11 Protective strainer
- 12 Auxiliary air valve

The VS suction units are used in wet suction systems. The suction units can be installed on the same floor as the treatment units or on the floor underneath. The necessary air flow and vacuum are generated by a rapidly rotating impeller. The impeller, separation turbine and waste water pump are driven by the motor.

An auxiliary air valve on the turbine housing protects the suction unit against overheating and provides uniform suction power. When an appropriate vacuum for the machine is applied, approx. 300 l/min of air is sucked in through the suction cannula.

The mixture of liquids, solid particles and air drawn in passes through the inlet connection and into the suction unit. The coarse filter holds back the solid particles.

Inside the separation unit, the aspirated fluids and solid particles pass through a two-stage separation system and are separated from the suction air. This separation system consists of a cyclone separator and a separation turbine. The suction process runs continuously.

The aspirated mixture flows into the cyclonic separator, where it is set into a spiral motion. In this first stage, the resulting centrifugal forces force the fluid constituents and any remaining solid particles against the outside wall of the separation chamber of the cyclone separator. This initially only effects a "coarse separation" of the fluid. In the subsequent second stage, the separation turbine effects "fine separation" of the remaining liquid from the air flow that has carried it to this point.


The waste water pump transports the liquid from the centrifuge together with the fine solid particles through the waste water connection into the central waste water network. A diaphragm valve is located in the waste water connection to prevent fluid from the drain being sucked back in.

The exhaust air from the suction unit should be guided out of the building (via the roof where possible). We recommended the installation of a bacteria filter in the exhaust air line. In addition, it is possible to install a noise-reducing muffler in the exhaust air line in order to reduce the amount of noise generated by the unit and by the air flow.

Assembly

6 Requirements

The unit can be installed on the same level as the surgery room or in a floor below.

 Further information can be found in our suction planning information leaflet. Order number 9000-617-03/..

6.1 Installation/setup room

The room chosen for set up must fulfil the following requirements:

- Closed, dry, well-ventilated room
- Should not be a room made for another purpose (e. g. boiler room or wet cell)
- When installing in a cabinet the inlet and outlet ventilation slots must be present; minimum free cross-section at least 120 cm².
- Forced ventilation (fan) must be provided if there is a risk that the recommended room air temperature could be exceeded. The air flow performance must be at least 2 m³/min.
- Do not cover cooling slots or openings with housing installations; ensure sufficient clearance to the openings to permit sufficient cooling.

6.2 Setup options

The following options for setting up the unit are available:

- Wall installation using a Dürr Dental wall mounting
- In a ventilated cabinet
- In a Dürr Dental noise reducing housing

6.3 Pipe materials

Only use vacuum-sealed HT-waste pipes manufactured from the following materials:

- Polypropylene (PP),
- Chlorinated polyvinyl chloride (PVC-C),
- Unplasticized polyvinyl chloride (PVC-U),
- Polyethylene (PE).


The following materials must not be used:

- Acrylonitrile-butadiene-styrene (ABS),
- Styrene copolymer blends (e.g. SAN + PVC).

6.4 Hose materials

For waste connections and suction lines only use the following hose types:

- Flexible spiral hoses made of PVC with integrated spiral or equivalent hoses
- Hoses that are resistant to dental disinfectants and chemicals

 Plastic hoses will display signs of ageing over time. Therefore, they should be inspected regularly and replaced as necessary.

The following types of hoses must not be used:

- Rubber hoses
- Hoses made completely of PVC
- Hoses that are not sufficiently flexible

6.5 Information about electrical connections

- › Ensure that electrical connections to the mains power supply are carried out in accordance with current valid national and local regulations and standards governing the installation of low voltage units in medical facilities.
- › Install an all-pole disconnect switch with a contact opening width of at least 3 mm in the electrical connection to the mains power supply.
- › Observe the current consumption of the devices that are to be connected.

Electrical fusing

LS switch 16 A, characteristic B, C and D in accordance with 60898.

6.6 Information about connecting cables

The diameter of the connections depends on the current consumption, length of line and the ambient temperature of the unit. Information concerning the current consumption can be found in the Technical Data supplied with the particular unit to be connected.

The following table lists the minimum diameters of the connections in relation to the current consumption:

Current consumption of unit [A]	Cross-section [mm ²]
> 10 and < 16	1.5
> 16 and < 25	2.5

EN

Current consumption of unit [A]	Cross-section [mm ²]
> 25 and < 32	4
> 32 and < 40	6
> 40 and < 50	10
> 50 and < 63	16

Mains supply cable

Installation type	Line layout (minimum requirements)
Fixed installation	– Plastic sheathed cable (e.g. type NYM-J)
Flexible	– PVC flexible line (e.g. H05 VV-F) or – Rubber connection (e.g. H05 RN-F or H05 RR-F)

Control cable

24 V protective low voltage for:

- Hose manifold
- Place selection valve
- Spittoon valve

Installation type	Line layout (minimum requirements)
Fixed installation	– Shielded sheathed cable (e.g. (N)YM (St)-J)
Flexible	– PVC data cable with shielded cable sheathing, as used for telecommunications and IT processing systems (e.g. type LiYCY) or – Lightweight PVC control cable with shielded cable sheathing

7 System components

The system components listed below are required or recommended for various procedures or for installation.

7.1 Control box

The unit is connected via a control box. The control box is either included in the scope of delivery or must be ordered separately. In some units, the control system is built in.

7.2 Rinsing unit

It is recommended that the suction system is equipped with a rinsing unit, e.g. in the treatment unit. The rinsing unit provides a small amount of water during aspiration. This dilutes the aspirated fluids (blood, saliva, rinsing water etc.), which can then be transported more effectively.

7.3 Flow accelerator

In order to keep the suction system free of deposits, a flow accelerator can be fitted in conjunction with a spittoon valve. When using a bowl rinse system, water will collect before the flow accelerator. The next time suction takes place using the large cannula, the collected fluid is transported in surges and at high speed to the suction system. This ensures automatic cleaning of the suction pipes.

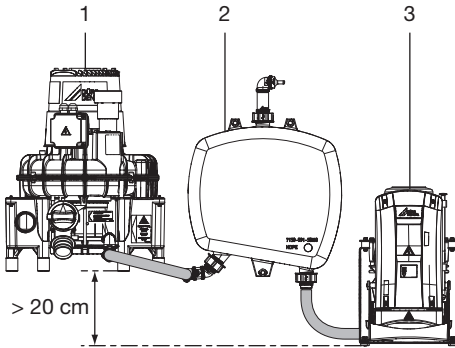
7.4 Amalgam separator

The amalgam separator is designed to separate out and trap the heavy metal particles and amalgam dust that the suction unit aspirates from drilled fillings. The amalgam separator is installed in the drain behind the separation unit of the suction unit. The amount of fluid coming from the suction unit must not exceed the maximum permitted quantity of fluid that can be handled by the amalgam separator. Depending on the installation and on national regulations, a second amalgam separator may need to be installed.

7.5 Surge tank

If the suction unit is combined with an amalgam separator, this requires the installation of a surge tank. The surge tank reduces pressure peaks caused by the waste water pump of the suction unit and acts as a buffer against temporary rises in the volume of water.

The surge tank can also be used if the waste water is fed directly into the building waste water system. In this case the waste water from the suction unit is diverted to the building drainage system under zero pressure.



- 1 VS 900 S combination suction unit
- 2 Surge tank
- 3 Amalgam separator CA 4

7.6 Exhaust air filter

For hygienic reasons, we recommend the installation of a bacteria filter in the exhaust air line. If the unit is installed in the surgery and the exhaust air cannot be discharged to the outdoors, it is essential to install a bacteria filter. Depending on the type and condition of the bacteria filter, it will need to be replaced every 1-2 years at the latest.



The separation integrated in the system does not retain bacteria; this is why we recommend installing a suitable filter in the exhaust air system.

7.7 Noise reduction

If the noise level from the exhaust air vent or the flow noise generated is too high, noise reduction can be installed in the exhaust air line.

8 Installation



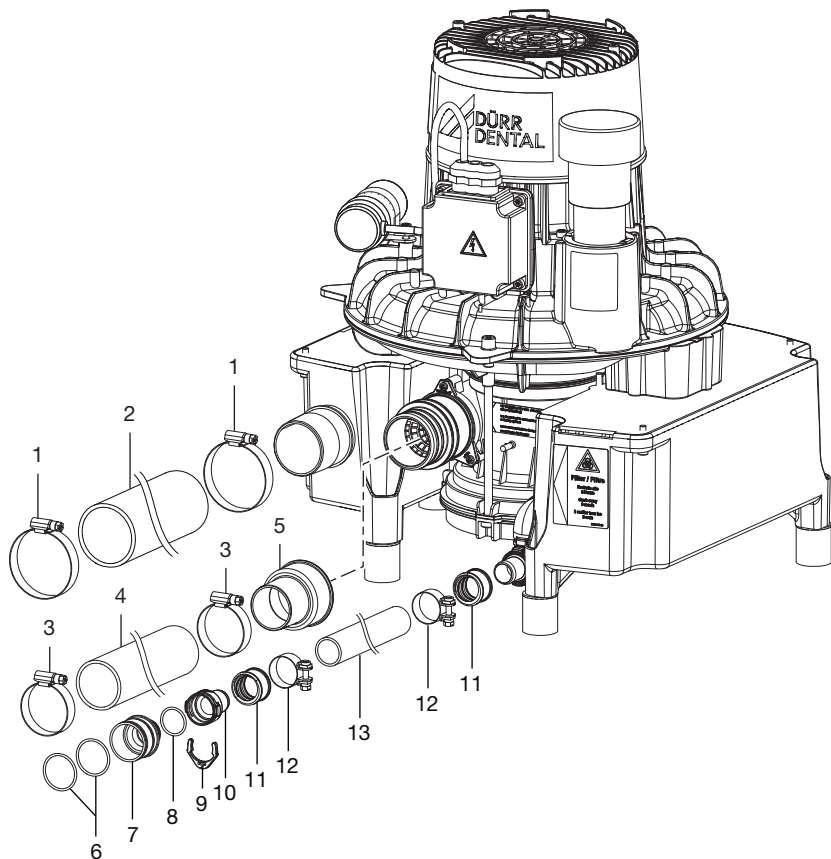
The actual connection can vary depending on the chosen installation option. The connection shown is only an example.

8.1 Installation and routing of hoses and pipes

- › Establish connections between the pipe system and the unit using the flexible hoses supplied. This will prevent vibrations from being transmitted to the pipe system.
- › The connection between the pipe line and unit suction connection should be kept as short as possible and straight, without bends.
- › Install the drain hoses with a downward gradient so that the waste water can drain off.
- › Waste water connections must be implemented in accordance with applicable local and national regulations.

VS 600

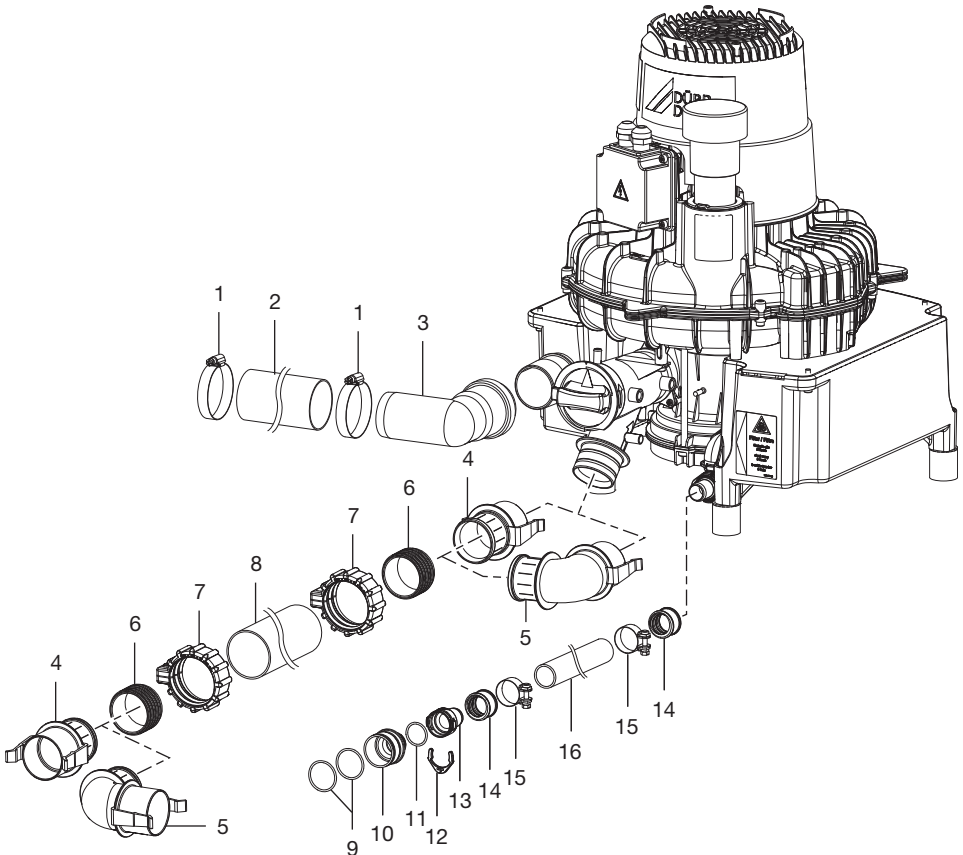
EN



- 1 Hose clamp 40-60 mm
- 2 Waste air pipe (aluminium) Ø 50 mm inside
- 3 Hose clamp 35-50 mm
- 4 Suction hose Ø 40 mm
- 5 Hose connection DN 40/50
- 6 O-ring Ø 30x2
- 7 Connector Ø 36 mm (external)
- 8 O-ring Ø 20x2 mm
- 9 Ring clamp
- 10 Hose sleeve Ø 20 mm
- 11 Hose sleeve
- 12 Hose clip Ø 28 mm
- 13 Waste water hose Ø 20 mm (internal)

VS 900 S, VS 1200 S

EN



- 1 Hose clamp 40-60 mm
- 2 Waste air pipe (aluminium) \varnothing 50 mm inside
- 3 Elbow DN 50 / 87
- 4 Straight adaptor bush
- 5 Connecting sleeve
- 6 Sealing sleeve
- 7 Union nut
- 8 Suction hose \varnothing 50 mm
- 9 O-ring \varnothing 30x2
- 10 Connector \varnothing 36 mm (external)
- 11 O-ring \varnothing 20x2 mm
- 12 Ring clamp
- 13 Hose sleeve \varnothing 20 mm
- 14 Hose sleeve
- 15 Hose clip \varnothing 28 mm
- 16 Waste water hose \varnothing 20 mm (internal)

9 Electrical connections

EN



DANGER

Electric shock due to incorrectly connected device

- › Never install a mains plug instead of the fixed connection.

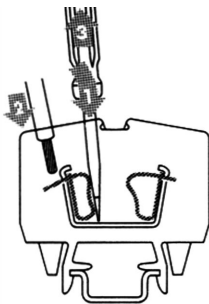


NOTICE

Short circuit due to defective lead

- › Do not route wires near hot surfaces.

- › Before connecting, check that the power supply voltage matches the voltage specifications on the type plate.
- › Only connect the unit to an original control box.
- › Connect the power supply line from the control box to the appropriate terminals in the motor terminal box.



- › Insert screwdriver into terminal strip to open spring clamp.
- › Insert stranded wire into spring clamp.
- › Remove screwdriver.

230 V 1/N/PE

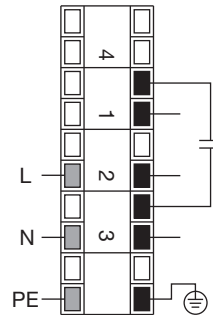


Fig. 1: Terminal assignment for 1-phase units

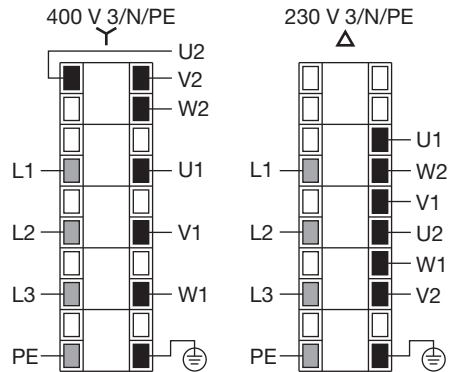


Fig. 2: Terminal assignment for 3-phase units

10 Commissioning



In many countries technical medical products and electrical devices are subject to regular checks at set intervals. The owner must be instructed accordingly.



NOTICE

Interference caused by larger particles such as pieces of tooth or fillings

- › Do not operate the unit without a coarse filter

- › Check that the coarse filters are installed in the suction system (e.g. in the spittoon).
- › Turn on the unit power switch or the main surgery switch.
- › Carry out a function check of the device.
- › Check all connections for leak tightness.
- › Carry out an electrical safety check in accordance with applicable regulations (e.g. regulations concerning set up, operation and application of medical devices) and record the results as appropriate, e.g. in the technical log book.
- › Carry out and document the instruction and handover for the unit.



A sample handover report is included in the attachment.

11 Disinfection and cleaning



NOTICE

Device malfunctions or damage due to use of incorrect media

Guarantee claims may become invalid as a result.

- › Do not use any foaming agents such as household cleaning agents or instrument disinfectants.
- › Do not use abrasive cleaners.
- › Do not use agents containing chlorine.
- › Do not use any solvents like acetone.

Dürr Dental recommends

- For disinfection and cleaning:
Orotol plus or Orotol ultra
- For cleaning:
MD 555 cleaner

Only these products have been tested by Dürr Dental.

When using prophy powders, Dürr Dental recommends the water-soluble Lunos prophy powders in order to protect the Dürr Dental suction systems.

11.1 After every treatment

- › Aspirate a glass of cold water through the large and the small suction hoses. Do this even if only the small suction hose was actually used during treatment.



Suction through the large suction hose causes a large amount of air to be drawn up, thereby considerably increasing the cleaning effect.

11.2 Daily after the end of treatment



After higher workloads before the midday break and in the evening

The following are required for disinfection/cleaning:

- ✓ Non-foaming disinfectant/cleaning agent that is compatible with the materials.
- ✓ Unit care system, e.g. OroCup
- › To pre-clean, suck up 2 litres of water with the care system.
- › Aspirate the disinfection/cleaning agent with the care system.

11.3 Once or twice a week before the midday break



Under harsher conditions (e.g. hard water or frequent use of prophy powders) 1x daily before the midday break

The following are required for cleaning:

- ✓ Special non-foaming detergent for suction units that is compatible with the materials.
- ✓ Unit care system, e.g. OroCup
- › To pre-clean, suck up 2 litres of water with the care system.
- › Aspirate the cleaning agent with the care system.
- › Rinse with ca. 2 l water after the application time.

12 Cleaning the protective strainer



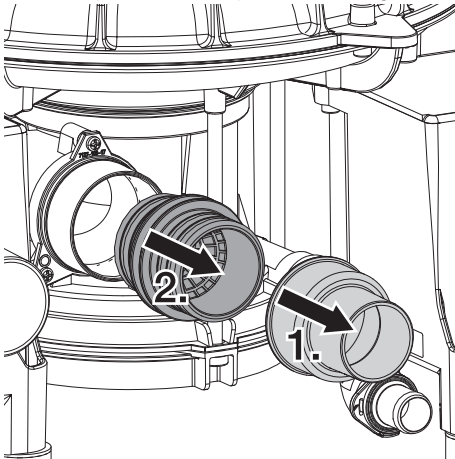
WARNING

Infection due to contaminated unit

- › Clean and disinfect the suction before working on the unit.
- › Wear protective equipment when working (e. g. impermeable gloves, protective goggles and mouth and nose protection).

12.1 VS 600

- › Pull off the suction hose from the protective strainer.
- › Pull out the protective strainer from the connection piece on the separation housing.

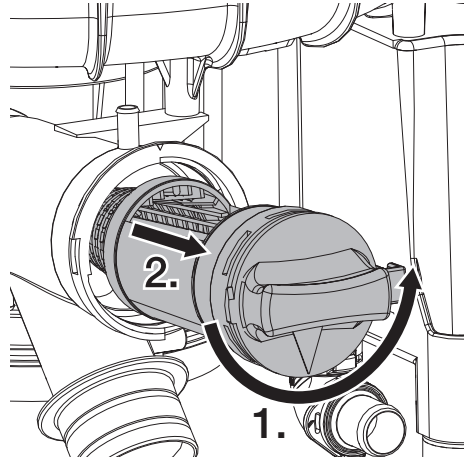


- › Clean the protective strainer.
- › Push the protective strainer into the connection piece on the separation housing.
- › Reconnect the suction hose.

12.2 VS 900 S, VS 1200 S

- › Loosen the protective strainer by twisting it half a turn anti-clockwise.

- › Pull out the protective strainer from the connection piece on the separation housing.



- › Clean the protective strainer.
- › Push the protective strainer with the opening facing upwards back into the connection piece on the separation housing.
- › Screw in the protective strainer clockwise as far as it will go.

13 Maintenance

EN



All maintenance work must be performed by a qualified expert or by one of our Service Technicians.



WARNING

Infection due to contaminated unit

- › Clean and disinfect the suction before working on the unit.
- › Wear protective equipment when working (e. g. impermeable gloves, protective goggles and mouth and nose protection).



Prior to working on the unit or in case of danger, disconnect it from the mains.


Maintenance interval	Maintenance work
Every three months	› Check the filter at the device suction connection and clean if necessary. *
Annually	› Check the waste valve for correct operation and replace it if necessary. *
Every 1-2 years	› Replace the exhaust air filter (where fitted). *
Every 2 years	› Check the auxiliary air valve for correct operation and clean/replace it as required. *

* Only to be performed by service technicians.

? Troubleshooting

EN

14 Tips for operators and service technicians

 Any repairs exceeding routine maintenance may only be carried out by qualified personnel or our service.



WARNING

Infection due to contaminated unit

- › Clean and disinfect the suction before working on the unit.
- › Wear protective equipment when working (e. g. impermeable gloves, protective goggles and mouth and nose protection).



Prior to working on the unit or in case of danger, disconnect it from the mains.

Error	Possible cause	Remedy
Device does not start	No mains voltage	› Check the mains supply voltage. * › Check the fuses and replace if necessary. *
	Undervoltage	› Measure the supply voltage; call an electrician if necessary. *
	Motor protection switch set too low	› Measure current, set the motor protection switch to the measured value plus safety margin. *
	Motor protection switch defective	› Check the motor protection switch; replace if defective. *
	Capacitor defective	› Measure capacitance and replace if necessary. *
	Turbine is blocked by solid particles or sticky soiling	› Disassemble the unit and clean the turbine. *
The unit generates unusual noises	Solid particles in the turbine chamber	› Disassemble the unit and clean the turbine and housing. *

Error	Possible cause	Remedy
Water leaking from the exhaust air connection	Membrane valve blocked	› Check the membrane valve at the waste water connection and if necessary clean or replace. *
	Foam in turbine due to use of incorrect cleaning and disinfectant agents	› Use non-foaming cleaning and disinfectant agents.
	Build-up of condensate in the exhaust air line	› Check the pipe system; avoid over-cooling. *
	Waste water line/siphon trap blocked	› Clean the waste water line/siphon trap. *
Suction performance too low	Coarse filter blocked	› Clean the coarse filter at the intake connection.
	Leak in the suction line	› Check and if necessary establish leak-tightness of suction system and connections. *
	Mechanical sluggishness of turbine caused by soiling	› Disassemble the unit and clean the turbine. *

* Only to be done by service technicians.

15 Transporting the unit



WARNING

Infection due to contaminated unit

- › Disinfect the unit before transport.
- › Close all media connections.



Wear protective equipment to avoid any risk of infection (e.g. liquid-tight protective gloves, protective goggles, face mask).

- › Before disassembly, clean and disinfect the suction unit and the unit using a suitable disinfectant approved by Dürr Dental.
- › Disinfect a defective unit using a suitable surface disinfection agent.
- › Seal all connections with sealing caps.
- › Pack the unit securely in preparation for transport.

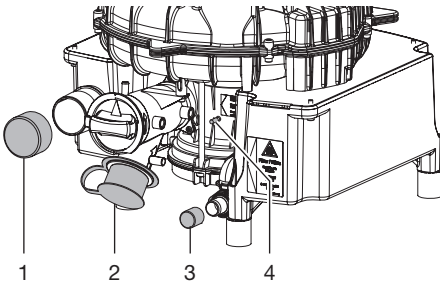


Fig. 3: VS 900 S, VS 1200 S

- 1 Exhaust air connection sealing cap
- 2 Suction connection sealing caps
- 3 Water outflow sealing cap
- 4 Rinse connection sealing cap

 **Appendix**

EN

16 Handover record

This document confirms that a qualified handover of the medical device has taken place and that appropriate instructions have been provided for it. This must be carried out by a qualified adviser for the medical device, who will instruct you in the proper handling and operation of the medical device.

Product name	Order number (REF)	Serial number (SN)

- Visual inspection of the packaging for any damage
- Unpacking the medical device and checking for damage
- Confirmation of the completeness of the delivery
- Instruction in the proper handling and operation of the medical device based on the operating instructions

Notes:

Name of person receiving instruction: **Signature:**

Name and address of the qualified adviser for the medical device:

Date of handover: **Signature of the qualified adviser for the medical device:**

--	--



Hersteller/Manufacturer:

DÜRR DENTAL SE
Höfigheimer Str. 17
74321 Bietigheim-Bissingen
Germany
Fon: +49 7142 705-0
www.duerrdental.com
info@duerrdental.com

